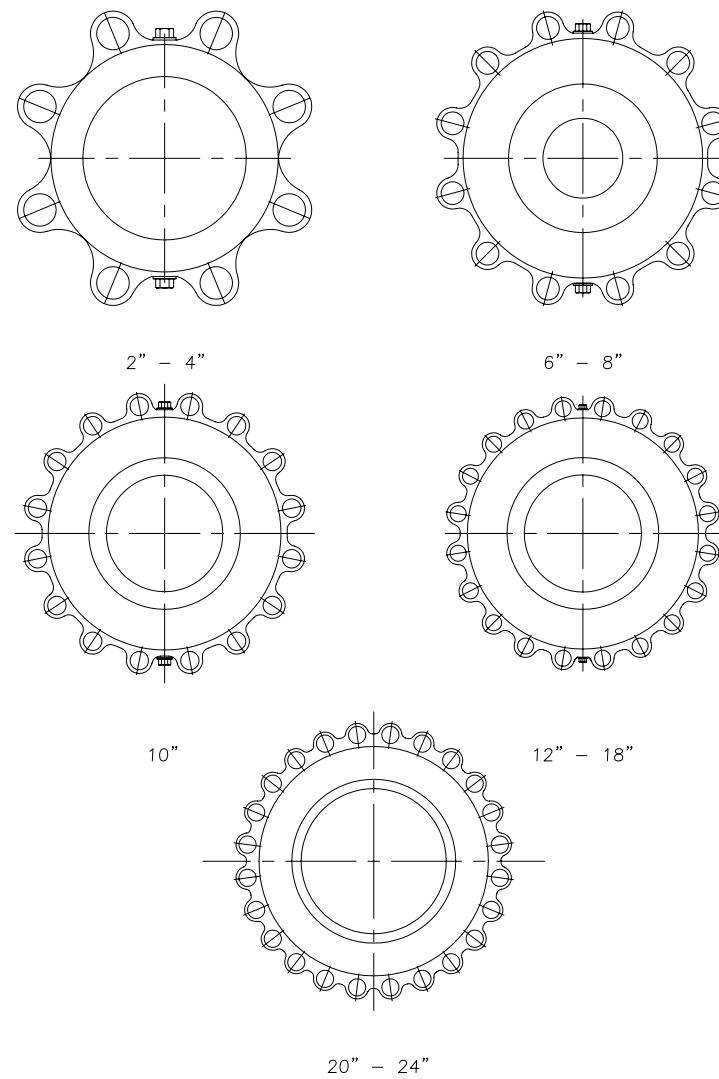
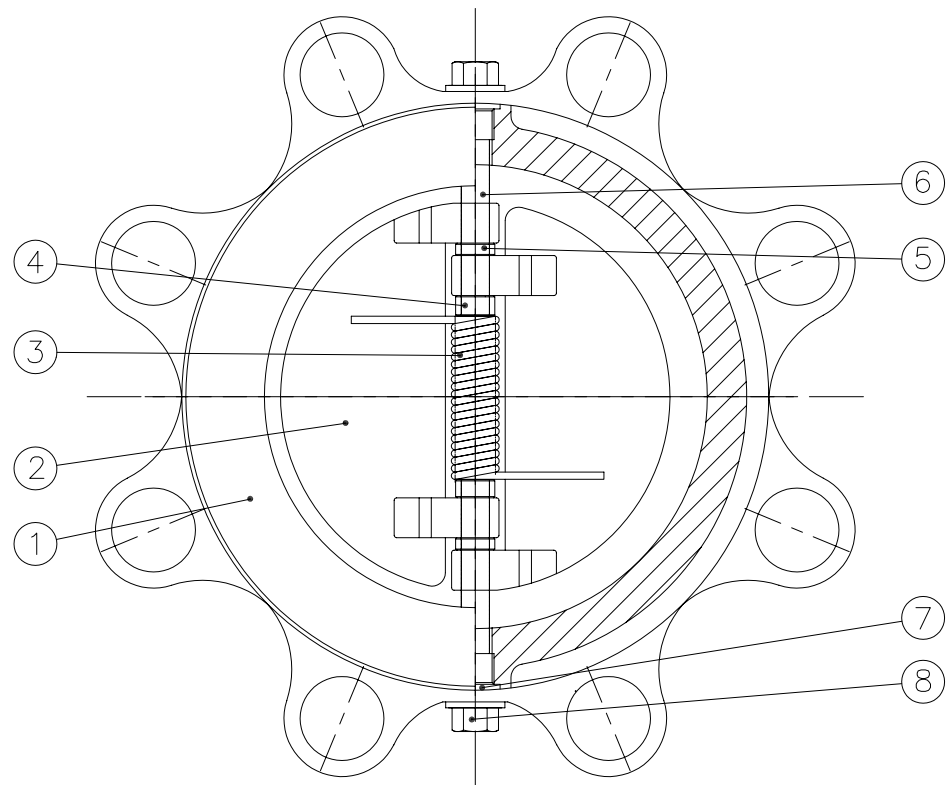
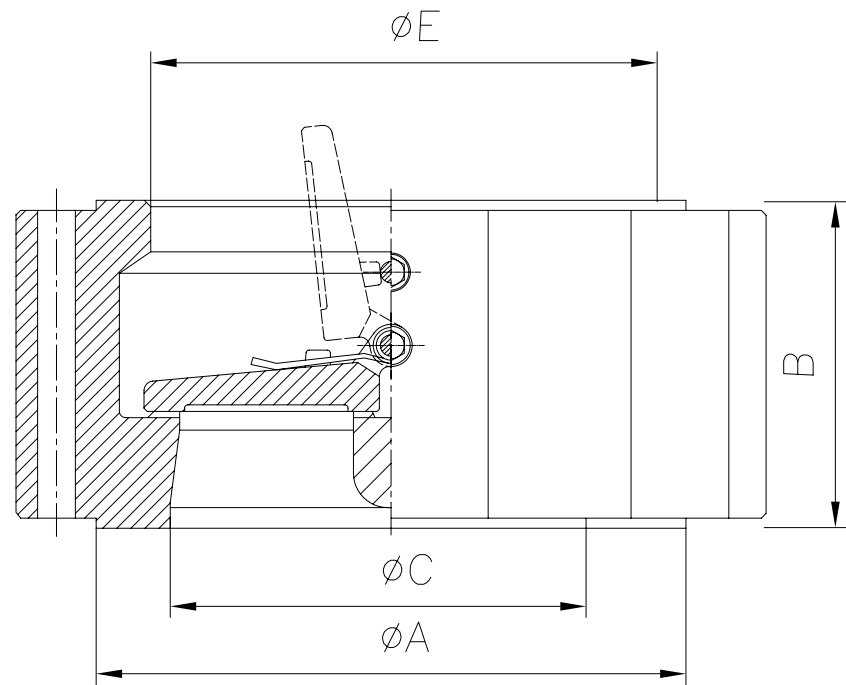


PRESSURE & TEMPERATURE TO ANSI B16.34; MATERIALS TO NACE MR-01-75 Latest Edition; HINGE/STOP PINS MUST BE VERTICAL FOR HORIZONTAL FLOW; LIFTING BOLTS SUPPLIED FOR VALVES 6" AND LARGER



Hole Configuration

| NO. | Name | Material | Notes |
|-----|--------------|-------------------------------|-------|
| 8 | STOP PIN | A182 F316 | |
| 7 | GASKET | A182 F316 | |
| 6 | HINGE PIN | A182 F316 | |
| 5 | BEARING | A182 F316 | |
| 4 | SPRING PLATE | A182 F316 | |
| 3 | SPRING | INCONEL X750 | |
| 2 | DISC | ASTM A351 CF8M | |
| 1 | BODY | ASTM A351 CF8M ASTM 216 WCB | |
| | BODY SEAT | AS BODY | 1 |
| | PLATE SEAT | AS PLATE | 2 |

| NOTES | |
|-------|---|
| 1. | Body Seat Overlay available - AISI 316 or Stellite 6 |
| 2. | Plate Seat Overlay available - AISI 316 or Stellite 6 |
| 3. | |

| Size Inches | Dimensions (mm) | | | |
|-------------|-----------------|--------|--------|--------|
| | A | B | C | D |
| 2" | 111.13 | 60.33 | - | 57.15 |
| 3" | 149.23 | 73.03 | 50.80 | 86.87 |
| 4" | 193.68 | 79.38 | 88.90 | 113.03 |
| 6" | 266.70 | 136.53 | 88.90 | 165.61 |
| 8" | 320.68 | 165.10 | 168.28 | 206.50 |
| 10" | 400.05 | 212.73 | 200.03 | 260.35 |
| 12" | 457.20 | 228.60 | 231.78 | 300.23 |
| 14" | 492.13 | 273.05 | 231.78 | 338.84 |
| 16" | 565.15 | 304.80 | 330.20 | 387.35 |
| 18" | 612.78 | 361.95 | 330.20 | 438.15 |
| 20" | 682.63 | 368.30 | 431.80 | 487.43 |
| 24" | 790.58 | 438.15 | 509.60 | 578.61 |

ENGINEERING DATA

| DESIGN CODE | API 594 | TEST PRESSURES | | | |
|-------------------------|------------|----------------|-------|------|--|
| FACE TO FACE DIMENSIONS | API 594 | BODY | 153.1 | Barg | |
| ENDS FLANGES DIMENSIONS | ASME B16.5 | SEAT | 112.3 | Barg | |
| TESTING CODE | API 598 | | | | |

| REV | DATE | DESCRIPTION | BY | CHK | APP | SCALE: | | |
|-----|------|-------------|----|-----|-----|----------|-----|------|
| | | | | | | DRAWN | DM | DATE |
| | | | | | | CHECKED | SMN | DATE |
| | | | | | | APPROVED | AW | DATE |

DRAWING TITLE:
API 594 CAST STEEL CLASS 600
WAFER, RF, CHECK VALVES

CLIENT: -

VENDOR PO REF: -

EVC REF: -

CAD. No. | DRAWING NUMBER: 120030 | REV
AREA No. | FACILITY | TYPE | SEQ. No. | SHT. No. | 01